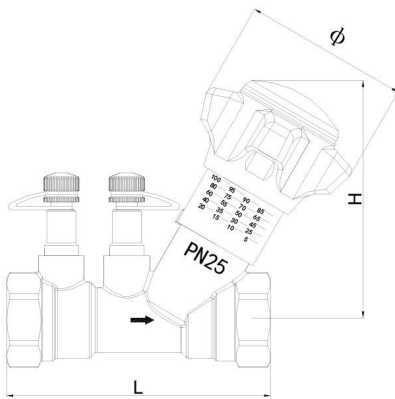
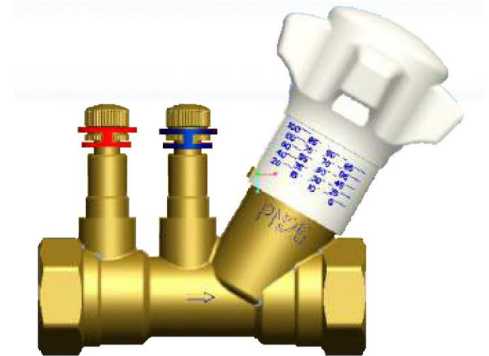


Material List

No.	Part Name	Material	Specification
1	Body	Brass	EN12165 CW617N
2	Bonnet	Brass	EN12165 CW617N
3	Stem	Brass	EN12165 CW617N
4	O-Ring	EPDM	-
5	Locating Pin	Stainless Steel 304	-
6	Directed Circle	PC+ABS	-
7	Test Valve Body	Brass	EN 12165 CW617N
8	Seal Ring	EPDM	-
9	Set Screw	Brass	-
10	Handwheel	PC+ABS	-



Dimensions (mm)

DN	15	20	25	32	40	50
Inch	1/2"	3/4"	1"	1-1/4"	1-1/2"	2"
L	94.5	101	110	120	140	154
H	90	90	90	94	127	127
φ	63	63	63	63	63	63

Kv Value

DN	15	20	25	32	40	50
Inch	1/2"	3/4"	1"	1-1/4"	1-1/2"	2"
Kv	2.7	5.5	7.0	9.5	18.5	25.5

• Feature

1. Y-Pattern globe valve construction, with characteristic of equal percentage flow regulation
2. Opening degree shows in two numbers, resolution 1/20
2. Pluggable measuring copper valve
3. The maximum opening can be locked
4. Can be installed in any direction
5. Free of maintenance

• Working Pressure

25 Bar

• Working Temperature

-10°C to 100°C

• End Connection

1/2" to 3/4" threaded to BS 2779 (ISO7)
 1" to 2" threaded to BS 10266 (ISO7)
 Also available threaded to ANSI B 1.20.1