

The EK Liquid Line Filter Drier is a premium compacted bead Filter Drier with a 20 micron outlet pad for maximum filtration. The EK is a premium universal replacement liquid line Filter Drier for CFC, HCFC and HFC refrigerants including R-12, R-134a, R-22, R-404A, R-407C, R-410A, R-500, R-502, and R-507.

### Features

- Filtration first for more effective use of surface area of desiccant
- High moisture and acid removal capacity
- Solid copper connections
- Corrosion resistant epoxy powder paint finish
- Copeland® brand products approved for POE Oils
- Shock resistant steel shell construction



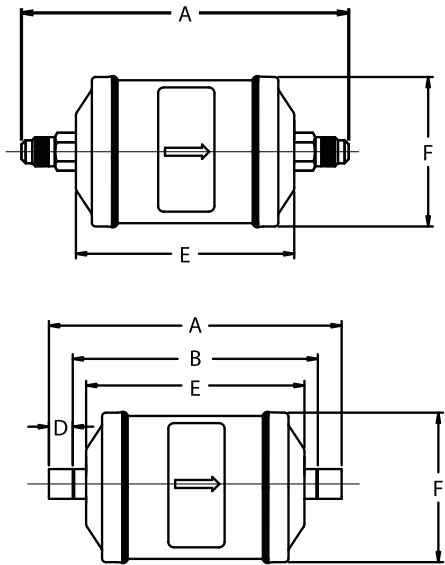
### Specifications

- Desiccant blend - optimized for high water capacity and acid capacity
- Filtration: 20 microns
- Maximum working pressure: 680 psig
- UL/CUL file number: SA 3124

### Nomenclature example: EK-083S

EK	08	3	S
Drier Series	Unit Size (in cu. in.)	Connection Size (in 1/8")	S = ODF connections (omit for SAE)

### Dimensional Data



### Ordering Information

PCN	Description	Dimensions (in)					Weight (lbs)
		A	B	D	E	F	
060009	EK 032	4.38	-	-	2.56	1.63	0.50
060012	EK 032S	3.88	3.13	0.38			
060011	EK 032FM	3.50	-	-			
060010	EK 032MF	3.50	-	-			
060013	EK 033	4.69	-	-	3.00	0.88	0.88
060014	EK 033S	4.06	3.19	0.44			
047601	EK 052	4.81	-	-	3.02	0.88	0.88
057013	EK 052MF	4.50	-	-			
063978	EK 0525S	3.57	0.32	2.64	3.00	0.88	0.88
047602	EK 052S	4.44	3.69	0.38			
047603	EK 053	5.13	-	-	3.81	2.63	1.25
047604	EK 053S	4.50	3.63	0.44			
047605	EK 082	5.63	-	-	4.75	1.25	1.25
047606	EK 082S	5.25	4.50	0.38			
049551	EK 0825S	5.38	4.38	0.50	7.50	3.06	3.75
056906	EK 083MF	5.94	-	-			
047607	EK 083	5.31	4.44	0.44	7.50	3.06	3.75
047608	EK 083S	5.31	4.44	0.44			
047609	EK 084	6.19	-	-	7.50	3.06	3.75
047610	EK 084S	5.38	4.38	0.50			
047611	EK 162	6.56	-	-	7.50	3.06	3.75
047612	EK 162S	6.19	5.44	0.38			
056045	EK 1625S	5.94	5.31	0.31	7.50	3.06	3.75
047613	EK 163	6.88	-	-			
047614	EK 163S	6.25	5.44	0.44	7.50	3.06	3.75
047615	EK 164	7.06	-	-			
047616	EK 164S	6.31	5.31	0.50	7.50	3.06	3.75
047617	EK 165	7.50	-	-			
047618	EK 165S	6.56	5.31	0.63	7.50	3.06	3.75
047619	EK 167S	7.50	5.63	0.75			
048210	EK 303	9.63	-	-	7.50	3.06	3.75
048211	EK 303S	9.00	8.13	0.44			
048212	EK 304	9.88	-	-	7.50	3.06	3.75
048213	EK 304S	9.13	8.13	0.50			
048214	EK 305	10.31	-	-	7.50	3.06	3.75
048215	EK 305S	9.31	8.06	0.63			
048216	EK 306S	9.69	8.44	-	7.50	3.06	3.75
048217	EK 307S	9.88	8.38	0.75			
048218	EK 309S	10.25	8.44	0.94	7.50	3.06	3.75
048219	EK 413	9.75	-	-			
048220	EK 414	10.00	-	-	7.50	3.06	3.75
048221	EK 414S	9.25	8.25	0.50			
048222	EK 415	10.44	-	-	7.50	3.06	3.75
048223	EK 415S	9.44	8.19	0.63			
048224	EK 417S	10.00	-	-	7.50	3.06	3.75
048225	EK 419S	10.94	8.50	0.75			
048228	EK 757S	15.44	13.94	-	13.06	3.69	7.50
048229	EK 759S	15.75	13.88	0.94			

<sup>1</sup>Does not include weld bead

# EK Contractor's Choice Filter Drier

R-410A

System Protectors

The EK Contractor's Choice filter drier is designed for foodservice and residential air conditioning applications.

## Features

- Extended solid copper connections
- Dual access valves for faster and easier system diagnosis
- Incorporates all the internal features of the premium EK

## Specifications

- Desiccant blend - optimized for high water capacity and acid capacity
- Filtration: 20 microns
- Maximum working pressure: 680 psig
- UL/CUL file number: SA 3124



## Ordering Information

PCN	Description
063908	EK 032S VV
065966	EK 052S VV
065963	EK 053S VV
065964	EK 083S VV
065965	EK 163S VV

# EK Cap Tube Filter Drier

R-410A

The EK Cap Tube filter drier is designed for foodservice refrigeration systems.

## Features

- Schrader valve on the inlet side acts as a maintenance and charging port
- Outlet is designed to accept capillary tubing without the need for crimping
- Extended solid copper 1/4 ODF connection inlet by cap tube
- Incorporates all the internal features of the premium EK

## Specifications

- Desiccant blend - optimized for high water capacity and acid capacity
- Filtration: 20 microns
- Maximum working pressure: 680 psig
- UL/CUL file number: SA 3124



## Ordering Information

PCN	Description
063208	EK 032 SV CAP (3 cubic inch)
065846	EK 052 SV CAP (5 cubic inch)

Capacity Tables

Description	Connections Inlet/Outlet	Flow Capacity Tons @ 1 psi ΔP <sup>1,4</sup> (For kW, multiply tons by 3.5)					Water Capacity <sup>2</sup> Drops of Water <sup>3</sup>													
							R-12		R-134a		R-22		R-407C		R-410A		R-404A/507		R-502	
		R-12	R-134a	R-22/R-410A	R-407C	R-404A/R-507	75°F	125°F	75°F	125°F	75°F	125°F	75°F	125°F	75°F	125°F	75°F	125°F		
EK 03 2 FM	1/4 Fem/1/4 Male SAE	1.6	2.0	2.2	2.1	1.4	47	41	40	37	40	33	33	25	21	19	38	37	42	37
EK 03 2 MF	1/4 Male/1/4 Fem SAE	1.6	2.0	2.2	2.1	1.4														
EK 03 2	1/4 SAE	1.6	2.0	2.2	2.1	1.4														
EK 03 2 S	1/4 ODF	2.2	2.7	2.9	2.9	2.0														
EK 032 SV	1/4 ODF	2.2	2.7	2.9	2.9	2.0														
EK 03 3	3/8 SAE	2.5	3.0	3.3	3.2	2.2														
EK 03 3 S	3/8 ODF	2.5	3.0	3.3	3.2	2.2	133	119	116	106	114	97	95	75	64	58	109	106	120	107
EK 05 2 FM	1/4 Fem/1/4 Male SAE	1.7	2.1	2.3	2.2	1.5														
EK 05 2 MF	1/4 Male/1/4 Fem SAE	1.7	2.1	2.3	2.2	1.5														
EK 05 2	1/4 SAE	1.7	2.1	2.3	2.2	1.5														
EK 05 2 S	1/4 ODF	2.7	3.3	3.6	3.5	2.4														
EK 05 3 MF	3/8 Male/3/8 Fem SAE	2.9	3.5	3.8	3.7	2.5														
EK 05 3	3/8 SAE	2.9	3.5	3.8	3.7	2.5	274	240	237	218	235	200	195	155	159	118	224	217	245	217
EK 05 3 S	3/8 ODF	3.6	4.4	4.8	4.7	3.2														
EK 08 2 FM	1/4 Fem/1/4 Male SAE	1.9	2.3	2.5	2.4	1.7														
EK 08 2 MF	1/4 Male/1/4 Fem SAE	1.9	2.3	2.5	2.4	1.7														
EK 08 2	1/4 SAE	1.9	2.3	2.5	2.4	1.7														
EK 08 2 S	1/4 ODF	2.5	3.1	3.4	3.3	2.2														
EK 08 25 S	5/16 ODF	2.9	3.5	3.8	3.7	2.5	347	301	371	341	368	313	305	240	206	186	350	340	306	272
EK 08 3 MF	3/8 Male/3/8 Fem SAE	3.3	4.0	4.3	4.3	2.9														
EK 08 3	3/8 SAE	3.3	4.0	4.3	4.3	2.9														
EK 08 3 S	3/8 ODF	3.7	4.5	4.9	4.8	3.3														
EK 08 4	1/2 SAE	5.5	6.7	7.3	7.1	4.9														
EK 08 4 S	1/2 ODF	5.8	7.1	7.7	7.5	5.1														
EK 16 2 MF	1/4 Male/1/4 Fem SAE	1.9	2.3	2.5	2.4	1.7	601	526	664	611	657	561	548	434	515	355	627	608	536	477
EK 16 2	1/4 SAE	1.9	2.3	2.5	2.4	1.7														
EK 16 2 S	1/4 ODF	2.5	3.1	3.4	3.3	2.2														
EK 16 25 S	5/16 ODF	2.5	3.1	3.4	3.3	2.2														
EK 16 3	3/8 SAE	3.2	3.9	4.2	4.1	2.8														
EK 16 3 S	3/8 ODF	3.6	4.4	4.8	4.7	3.2														
EK 16 4 S	1/2 ODF	7.0	8.5	9.2	9.0	6.2	1104	971	938	854	919	785	765	607	715	465	876	850	991	884
EK 16 5	5/8 SAE	8.0	9.7	10.5	10.3	7.0														
EK 16 5 S	5/8 ODF	8.3	10.1	10.9	10.7	7.3														
EK 16 7 S	7/8 ODF	12.7	15.5	16.8	16.5	11.2														
EK 30 3	3/8 SAE	3.5	4.3	4.7	4.6	3.1														
EK 30 3 S	3/8 ODF	5.2	6.3	6.8	6.7	4.6														
EK 30 4	1/2 SAE	6.6	8.1	8.8	8.6	5.9	2368	2159	2159	2019	2159	1880	1810	1460	1460	1111	2019	2019	2229	2019
EK 30 4 S	1/2 ODF	8.2	10.0	10.8	10.6	7.2														
EK 30 5	5/8 SAE	8.7	10.6	11.5	11.3	7.7														
EK 30 6 S	3/4 ODF	12.1	14.8	16.0	15.7	10.7														
EK 30 7 S	7/8 ODF	13.8	16.8	18.2	17.9	12.2														
EK 30 9 S	1 1/8 ODF	16.1	19.6	21.2	20.8	14.2														
EK 41 3	3/8 SAE	3.5	4.3	4.7	4.6	3.1	2368	2159	2159	2019	2159	1880	1810	1460	1460	1111	2019	2019	2229	2019
EK 41 4	1/2 SAE	8.5	10.4	11.3	11.1	7.5														
EK 41 4 S	1/2 ODF	8.9	10.8	11.7	11.5	7.8														
EK 41 5	5/8 SAE	9.8	12.0	13.0	12.8	8.7														
EK 41 7 S	7/8 ODF	16.6	20.3	22.0	21.6	14.7														
EK 41 9 S	1 1/8 ODF	22.7	27.7	30.0	29.4	20.1														
EK 75 7 S	7/8 ODF	18.2	22.2	24.1	23.6	16.1														
EK 75 9 S	1 1/8 ODF	26.8	32.7	35.4	34.8	23.7														

<sup>1</sup> All ratings in accordance with ARI Standard 710-04. 86°F liquid refrigerant temperature  
 5°F saturated vapor temperature  
 3.1 lbs./min./ton for R-134a  
 2.9 lbs./min./ton for R-22 and R-407C  
 4.0 lbs./min./ton for R-404A/507 and R-12  
 2.7 lbs./min./ton for R-410A

<sup>2</sup> Water Capacities are based on:  
 Equilibrium Point Dryness (EPD) of:  
 50 parts per million for R-134a, R404-A/507,  
 R-410A and R-407C  
 60 parts per million for R-22  
 15 parts per million for R-12

<sup>3</sup> 20 drops of water = 1 gram = 1 cc

<sup>4</sup> For 2 PSI ΔP, Multiply values by 1.4

Liquid Refrigerant Holding Capacity-Ounces

Unit Size	R-12		R-134a		R-22		R-407C		R-410A		R-404A/R-507		R-502	
	75°F	125°F	75°F	125°F	75°F	125°F	75°F	125°F	75°F	125°F	75°F	125°F	75°F	125°F
03	2.9	2.6	2.6	2.3	2.6	2.3	2.5	2.1	2.3	1.9	2.3	1.9	2.7	2.3
05	6.5	5.9	6.0	5.4	5.9	5.3	5.6	4.9	5.3	4.4	5.2	4.4	6.0	5.3
08	8.3	7.6	7.6	6.9	7.5	6.8	7.2	6.3	6.7	5.7	6.6	5.6	7.7	6.8
16	10.2	9.4	9.4	8.6	9.3	8.4	8.9	7.8	8.3	7.0	8.2	6.9	9.5	8.4
30	28.7	26.3	26.4	23.9	26.1	23.5	24.9	21.9	23.3	19.6	22.9	19.4	26.7	23.4
41	40.0	36.4	36.9	33.1	36.4	32.5	34.7	30.3	32.5	27.2	31.9	26.8	37.2	32.4
75	72.4	66.3	66.7	60.3	65.8	59.2	62.8	55.2	58.7	49.5	57.7	48.9	67.2	59.0